



**User manual**  
**MB-2XX matte boxes**  
Version 3.0.1



***Index:***

Introduction ..... 3  
Box contents MB-216 matte box 0200-0216: ..... 4  
Box contents MB-256 matte box 0200-0256: ..... 4  
Guide to components, MB-216 matte box 0200-0216: ..... 5  
Guide to components, MB-256 matte box 0200-0256: ..... 6  
Common directions for using these matte boxes:..... 7  
Adjusting the clamping mechanism of these matte boxes:..... 9  
Additional information ..... 10  
Accessories:..... 10  
Contact data:..... 12

## ***Introduction***

Thank you for purchasing a Vocas product. You are now the owner of a revolutionary matte box system! The patented eyebrows in the MB-256 are unique in the market. More than 25 years of experience are part of these matte boxes' design and functionality.

We believe that a Vocas matte box gives you the perfect configuration for your camera. Before you start to use your new accessory, please read these instructions carefully to enjoy optimum performance and a longer service life. Keep this manual in a safe place for future reference.

In the interest of continually improving products, Vocas Systems B.V. reserves the right to update or modify information contained in this manual.



***Box contents MB-216 matte box 0200-0216:***

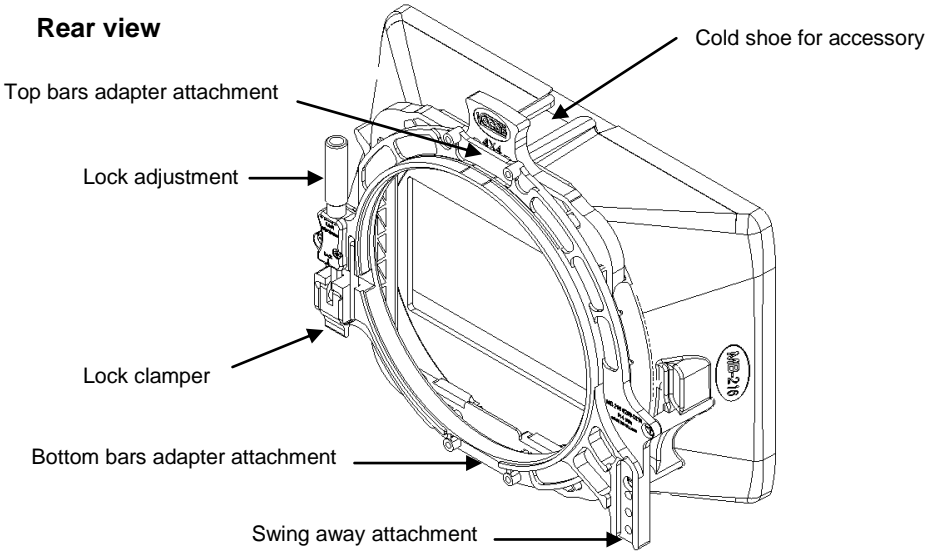
- 1 Matte box 0200-0216
- 1 pc. 4x4" filter frame 0310-0001

***Box contents MB-256 matte box 0200-0256:***

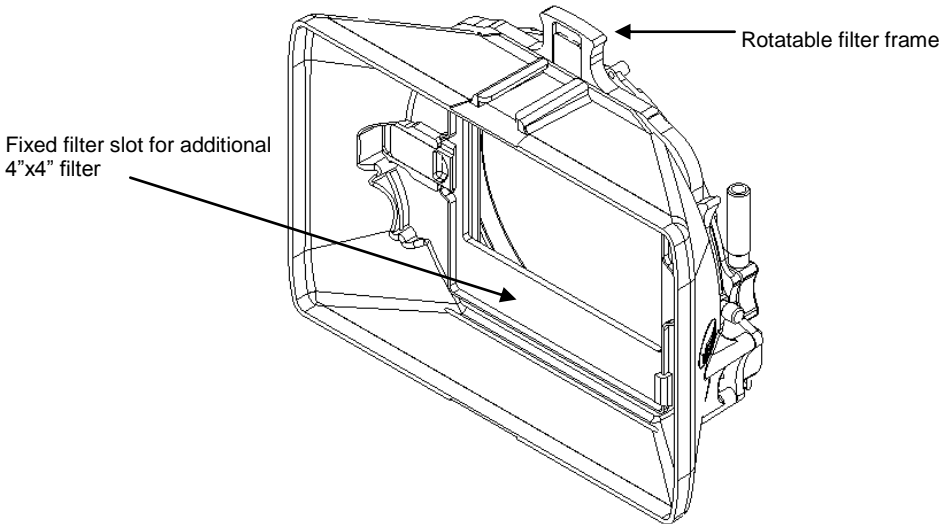
- 1 Matte box with wide angle hood 0200-0256
- French flag 0330-0001
- 2 pc. 4x4" Filter frame 0310-0001

## Guide to components, MB-216 matte box 0200-0216:

### Rear view

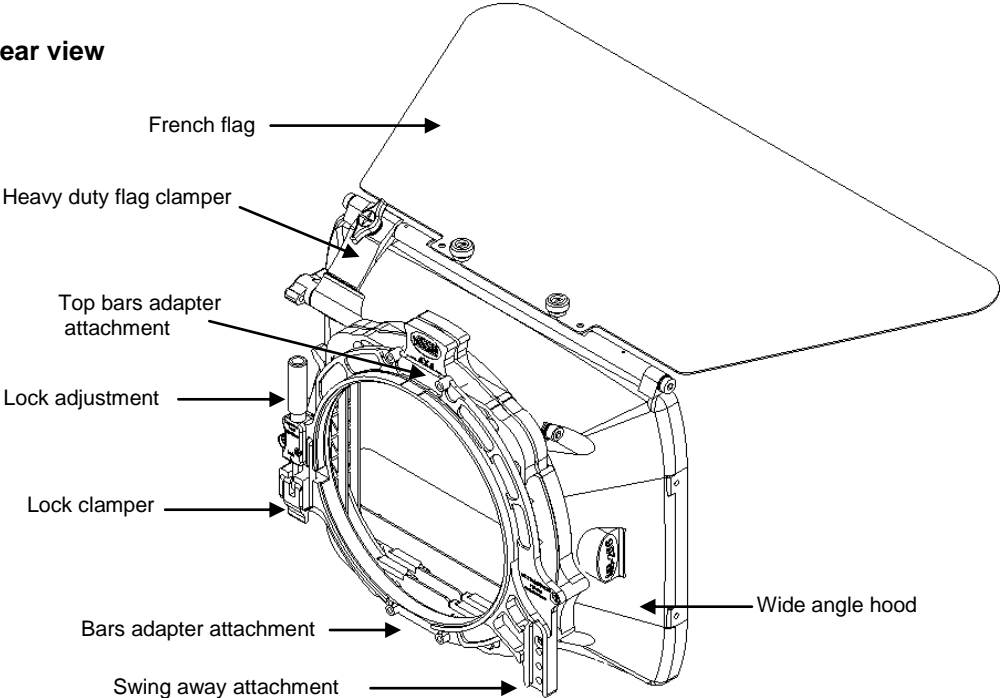


### Front view

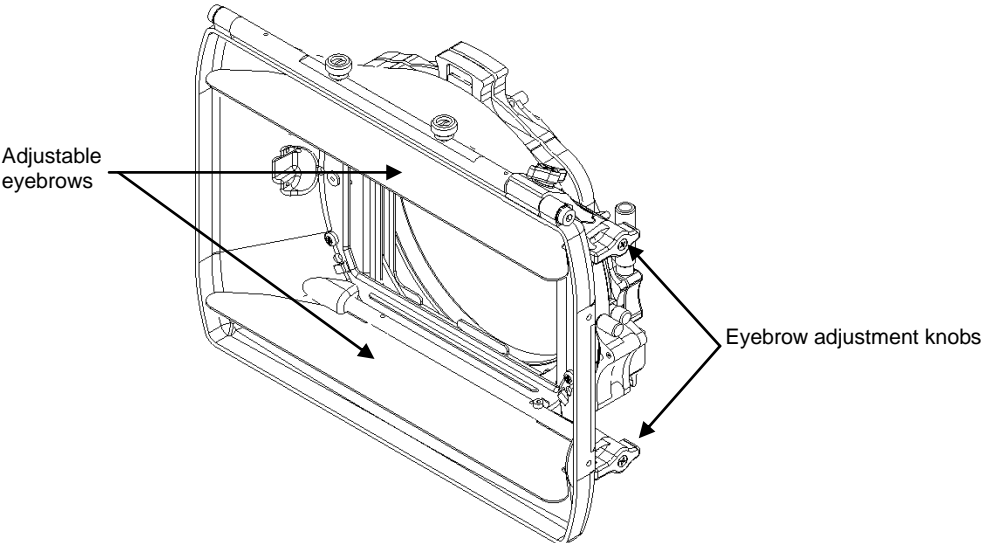


**Guide to components, MB-256 matte box 0200-0256:**

**Rear view**



**Front view**



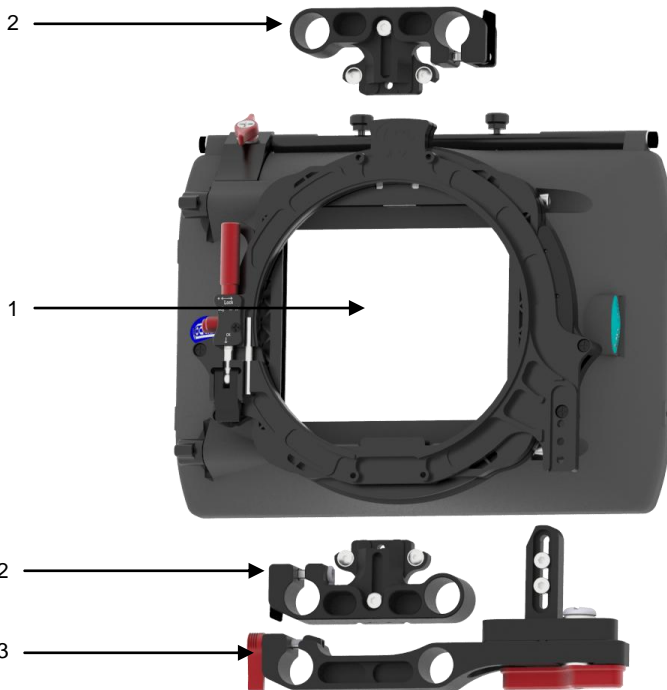
## Common directions for using these matte boxes:

- These matte boxes can be attached to the lens in three ways:
  1. **Clip-on:**

For maximum lightweight and economical operation the matte box attaches directly to the front of the lens. Either with or without a wide angle converter. The internal rear end diameter of these matte boxes is 114 mm, there are step-down adapter rings available for most lenses.
  2. **15 mm Bars adapter:**

This bars adapter attaches your matte box on your top or bottom 15 mm rails.
  3. **Swing away bracket:**

The swing away bracket connects the matte box to either 15 mm light weight or 19 mm rails. The swing away bracket also allows the user to quickly change lenses without having to remove the matte box from the rails.

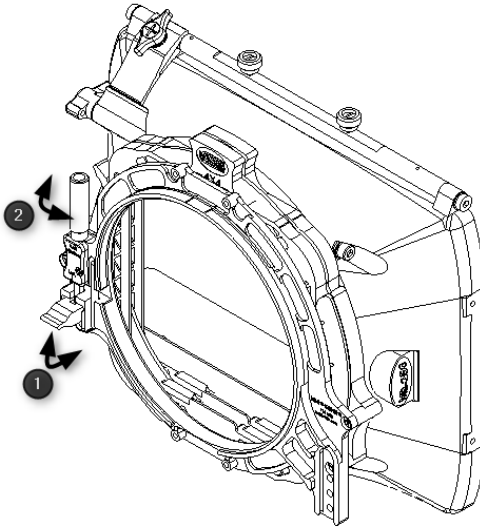


- If you use a camera sliding system like the Vocas USBP-15MKII (0350-2200). We recommend to use these matte boxes as clip-on or top bars setup. This way you can quickly change from handheld to tripod or other setups.
- If the matte box is used on a top/bottom rail support, we strongly recommend using the flexible adapter ring kit. This is a soft donut shaped step-down ring. To prevent light from entering from the rear side of the matte box (and reflecting via the filter in front of the lens), the hole in the rubber donut ring must match the front diameter of the used lens. Therefore the rubber donut rings are supplied in various diameters. This ring can handle lenses up to 95mm in front outside diameter.
- For extra reduction of flare, the patented eyebrows are added in the MB-256. These internal French flags can be adjusted to the zoom position of the lens by rotating the "eyebrow adjustment knobs".  
Caution: Not all viewfinders, LCD screens, and monitors show 100% of the captured image. Therefore, if the eyebrows are adjusted with the help of the LCD screen, it might be possible that the eyebrows are visible in the captured image.
- The cold shoe of the MB-216 can be used to attach a optional French flag, a camera light, a microphone holder or other cold shoe accessories.
- When using a polarizer or star filters the first filter frame (the one which is the nearest to the camera) can be rotated.
- These matte boxes also work in combination with most Century Precision wide-angle adapters.



## ***Adjusting the clamping mechanism of these matte boxes:***

1. Put the clammer in the “open” position.
2. Rotate the lock adjustment knob clockwise to tighten or counter clockwise to loosen.
3. Put the clammer back in its original position.  
(note: please be careful not to over tighten the mechanism).



## ***Additional information***

The hoods of Vocas matte boxes are made of a high quality composite. This gives the hoods a very high strength to weight ratio, allowing it to endure the rigors of even the most demanding circumstances.

## ***Accessories:***

For all available accessories and compatibilities please check our website: [www.vocas.com](http://www.vocas.com)

For example:

### **0360-0100 Height adjustable bars adapter**



### **0460-0600 15 mm Swing away bracket**



### **0250-0190 114 mm Cuff ring**



**0250-0195 114 mm Flexible donut ring**



**0250-0340 114 to M77 threaded stepdown ring**



**0340-0001 Side flag kit for 256**



**0310-0004 Filter frame 4"x5,65"**



## **Contact data:**

Vocas Systems B.V.  
Larenseweg 121  
1221 CL Hilversum-Netherlands  
T:+31(0)35-6233707 F:+31(0)35-6233997  
[www.vocas.com](http://www.vocas.com)

Like us on Facebook!

[www.facebook.com/vocassystems](http://www.facebook.com/vocassystems)

