



User manual
MB-436 matte box
Version 2.0.1



Index:

Introduction 3
Box contents MB-436 matte box 0400-0436: 3
Guide to components, MB-436 matte box: 4
Common directions for using this matte box:..... 6
Adjusting the clamping mechanism of these matte box: 8
Additional information 9
Accessories:..... 10
Contact data..... 12

Introduction

Thank you for purchasing a Vocas product. You are now the owner of a revolutionary matte box system! The patented eyebrows in the MB-436 are unique in the market. More than 25 years of experience are part of these matte boxes 'design and functionality.

We believe that a Vocas matte box gives you the perfect configuration for your camera. Before you start to use your new accessory, please read these instructions carefully to enjoy optimum performance and a longer service life. Keep this manual in a safe place for future reference.

In the interest of continually improving products, Vocas Systems B.V. reserves the right to update or modify information contained in this manual.

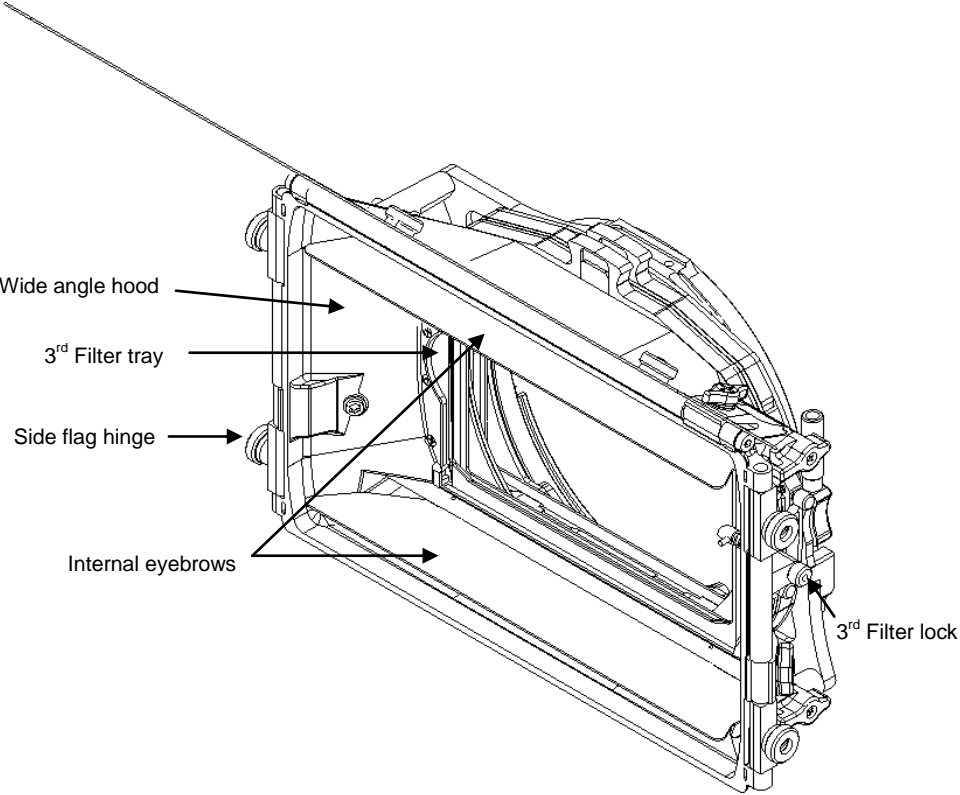


Box contents MB-436 matte box 0400-0436:

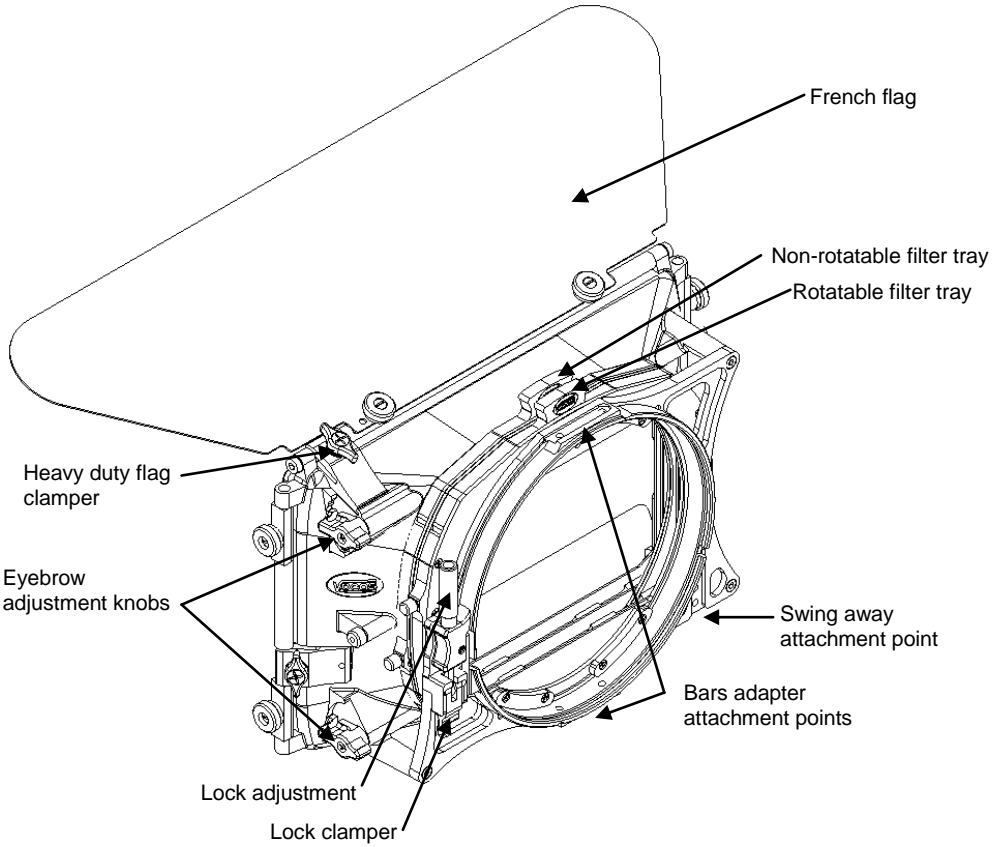
- 1 pc. Matte box 0400-0436
- 2 pc. 4"x5.565"/4"x4" Combo filter frame 0410-0010
- 1pc. Top flag 0430-0003

Guide to components, MB-436 matte box:

Front view



Rear view



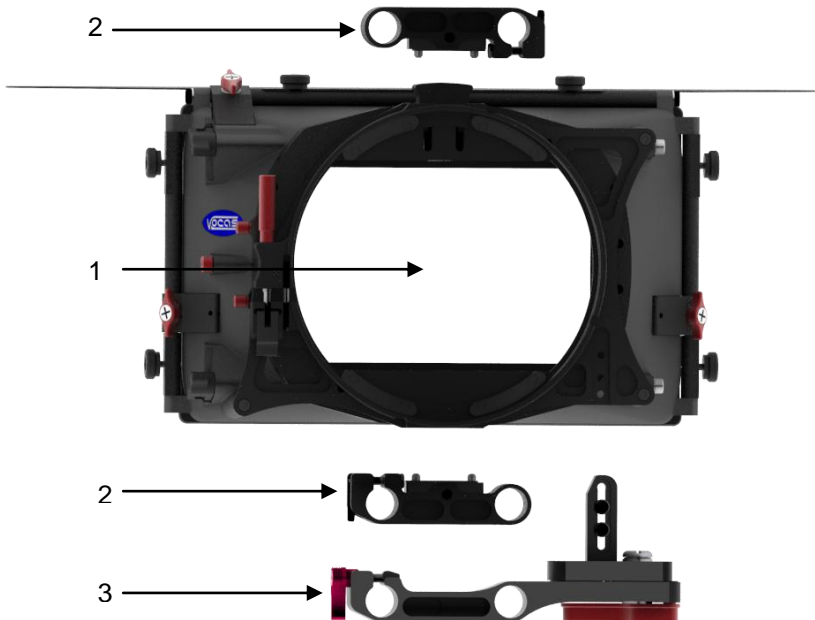
Common directions for using this matte box:

- This matte boxes can be attached to the camera in three ways:
 1. **Clip-on:**

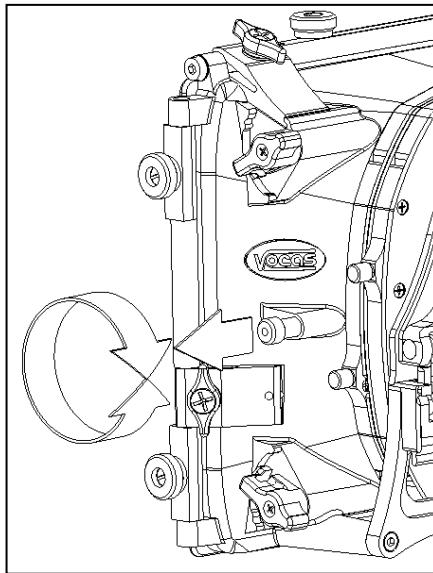
For maximum lightweight and economical operation the matte box attaches directly to the front of a lens. Either with or without a step down adapter ring. The internal rear diameter of this matte box is 143 mm.
 2. **15 mm Bars adapter:**

This bars adapter attaches your matte box to any 15 mm light weight rail support. Functionally connecting your matte box to the top or base of the camera.
 3. **Swing away bracket:**

The swing away bracket connects the matte box to either 15 mm lightweight or 19 mm rails. As with the bars adapter this accessory connects the matte box to the base of the camera, however the swing away bracket also allows the user to quickly change lenses without having to remove the matte box from the rails.

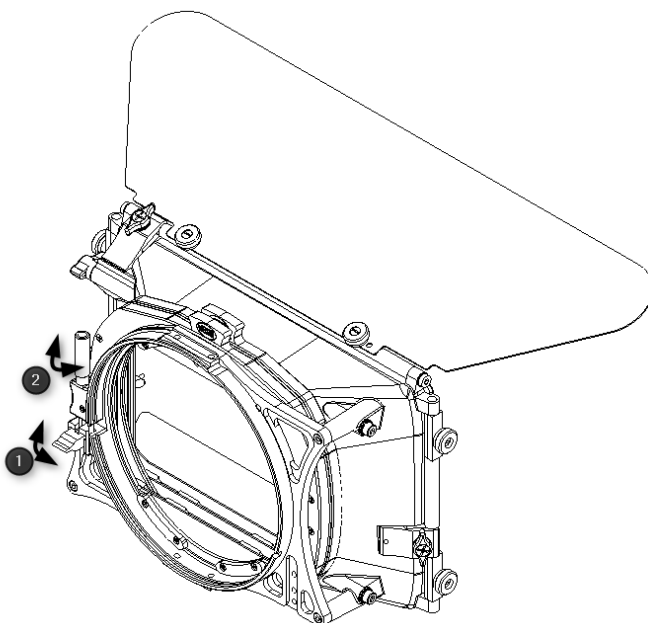


- If you use a camera sliding system like the Vocas USBP-15MKII (0350-2200). We recommend to use these matte boxes as clip-on or top bars setup. This way you can quickly change from handheld to tripod or other setups.
- If the matte box is used on a rail support, we strongly recommend using the flexible adapter ring kit. This is a soft flexible step-down ring.
To prevent light from entering from the rear side of the matte box (and reflecting via the filter in front of the lens), the hole in the flexible ring must match the front diameter of the used lens. Therefore the flexible ring can stretch to accommodate most lens diameters.
- For extra reduction of flare, the patented eyebrows are added in the MB-436. These internal French flags can be adjusted to the zoom position of the lens by rotating the “eyebrow adjustment knobs”.
Caution: Not all viewfinders, LCD screens, and monitors show 100% of the captured image. Therefore, if the eyebrows are adjusted with the help of the LCD screen, it might be possible that the eyebrows come into picture.
- When not using a 3rd filter in the hood compartment, it is recommended to lock the filter lock into the retracted position to avoid possible vignetting. This is done by pulling the knob outward as far as it will go and then twisting counter clockwise.



Adjusting the clamping mechanism of these matte box:

1. Put the clamber in the "open" position.
2. Rotate the lock adjustment knob clockwise to tighten or counter clockwise to loosen.
3. Put the clamber back in its original position.
(note: please be careful not to over tighten the mechanism).



Additional information

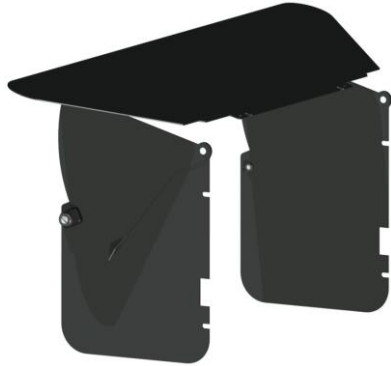
The hoods of Vocas matte boxes are made of a high quality composite. This gives the hoods a very high strength to weight ratio, allowing it to endure the rigors of even the most demanding circumstances.

Accessories:

For all available accessories and compatibilities please check our website: www.vocas.com

For example:

0440-0002 Side flag kit



0460-0500 15 mm LW bars adapter



0460-0600 15 mm Swing away bracket



0420-0600 143 mm Flexible cuff adapter ring



0420-0601 143 mm Flexible donut adapter ring



0410-0010 Filter frame 4"x4" / 4"x5,65" combo



Contact data

Vocas Systems B.V.
Larenseweg 121
1221 CL Hilversum-Netherlands
T:+31(0)35-6233707 F:+31(0)35-6233997
www.vocas.com

Like us on Facebook!

www.facebook.com/vocassystems

