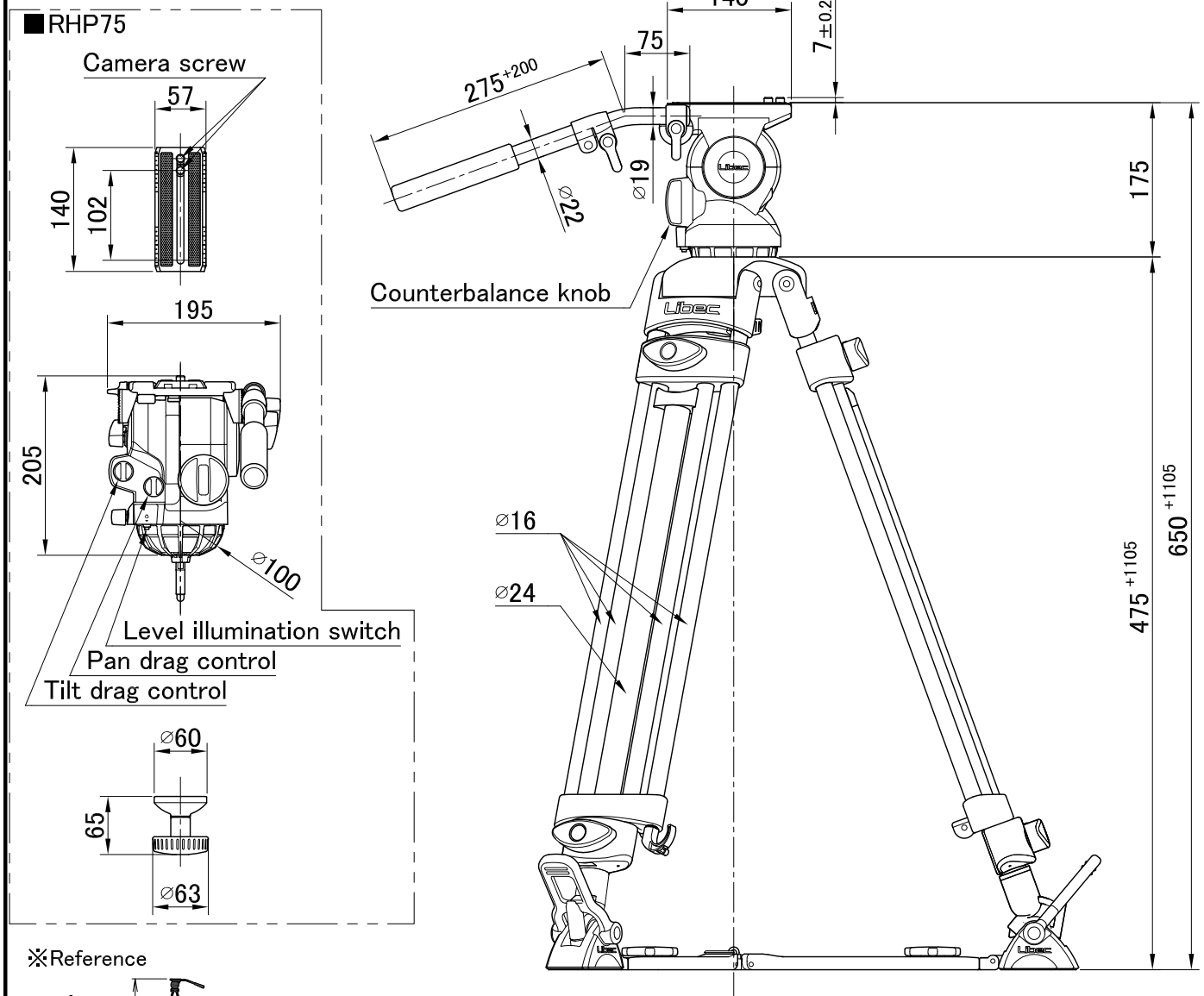


System	RHP75 (Head) + RT50B (Tripod) + SP-2B (Floor spreader) + RC-70 (Carrying case)		
Payload	17 kg / 37.5 lb	Tilt angle	+90° / -70° (Limited to ±40° with maximum counterbalance)
Weight	8.0 kg / 17.6 lb	Pan angle	360°
Height	① H: 1755 mm W: 710 mm (※Reference)	Counterbalance	Range : 5.5~14 kg / 12~31 lb (CG125mm)
	② H: 650 mm W: 1100 mm (")		System : Continuous
	③ L: 915 mm (")	Drag mode	7 STEP
Camera plate (Sliding range)	Sliding plate ±55 mm / 2.2"	Ball diameter	∅100 mm
Plate attachment (Screw sliding range)	Type : 3/8-16UNC × 2	Section	2STAGE (Material: Aluminum)
	102 mm / ±4"	Tripod fixation	Fixing lock knob
Spare screw	Type : 3/8-16UNC × 1	Spreader	SP-2B (Telescopic, Removable)
	Equipped on the head (Behind the platform of sliding plate)	Pan handle	PH-8B
		Case material	Nylon , Polyester , TPE , PE , PP

Remarks

■ Exterior Dimensions (mm)

■ RHP75



※Reference

