



Axis Mini

The Axis Mini is the most adjustable ENG style mount for rosette mounted EVFs, giving you full 360° motion with four adjustment points. It is compatible with both rosette mount EVF's like the Zacuto Gratical or 1/4"-20 mounted EVF's like the original Zacuto EVF.

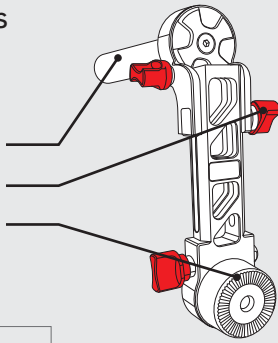
It's single bone arm with an extension range of 3" and 2 pivot points with tension locks. It has extensive articulation for use with a wide variety of cameras, both shoulder mounted in a Next Generation Recoil or in tripod operating position.

The Axis Mini for Sony FS7 includes a Z-Mount Zwivel 2, which attaches to the 15mm rod on the FS7. The Sony monitor is secured to the rosette mount adapter.

Parts and Features

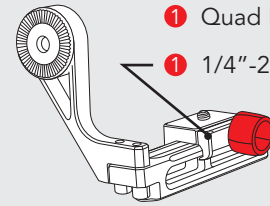
* Not all items below are included with each Axis Mini.

- 1 Axis Mini
- 1 3" Mounting Rod
- 3 Tightening Knobs
- 1 EVF Rosette Mount



Quad Rail for Screw Mounted EVF's

- 1 Quad Rail
- 1 1/4"-20 EVF Mount



Rosette for Sony EVF's

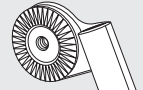
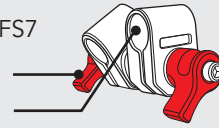
- 1 Rosette
- 4 Rosette Screws



- 1 Zwivel 2 for Sony FS7

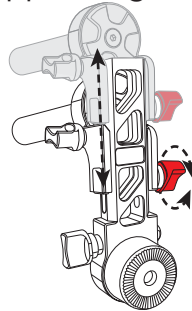
- 2 Ratcheting Levers

- 2 15mm Rod Ports

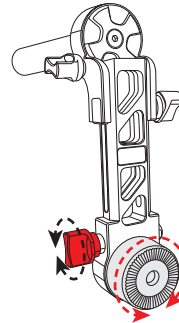


FS7 Rosette Mount Adapter

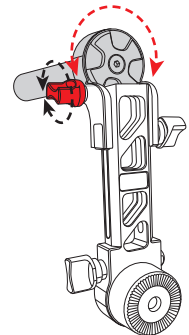
Operating the Axis Mini



Loosen this knob to adjust the length of the Axis Mini.



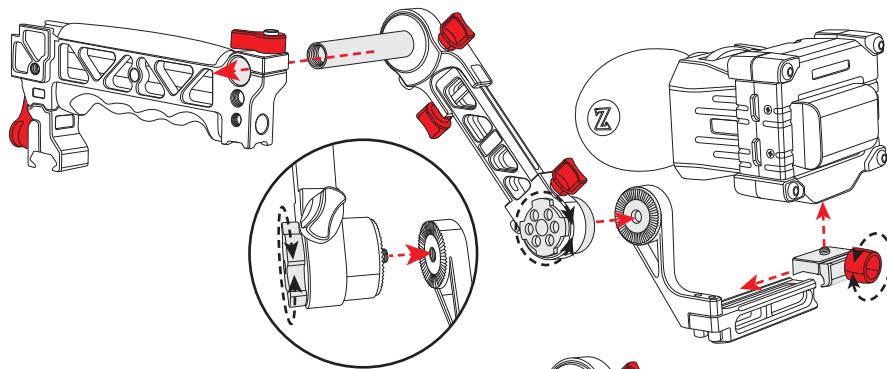
Loosen this knob to adjust the lower rotation.



Loosen this knob to adjust the upper rotation.

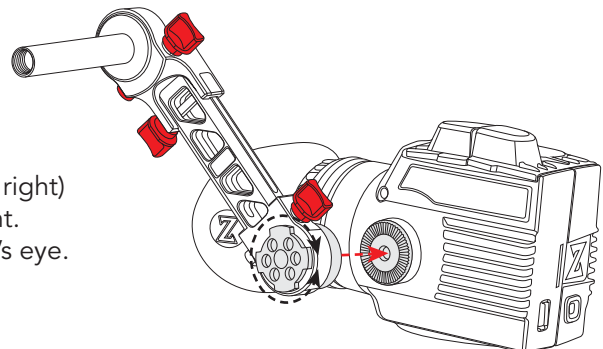
Assembling Axis Mini to Quad Rail and EVF's

Assemble Axis Mini and Quad Rail to Recoil Handle as shown below. Adjust rig to fit comfortably to user's eye.



Turn knob to tighten 1/4"-20 screw into quad rail rosette.

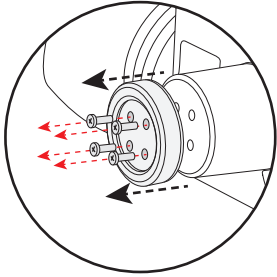
Mount EVF's (Gratical shown to the right) directly to Axis Mini's Rosette Mount. Adjust rig to fit comfortably to user's eye.



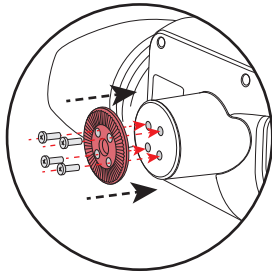
Check out our tutorial videos at zacuto.com

Assembling Axis Mini to Sony EVF

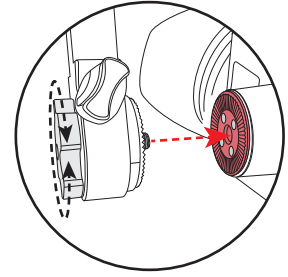
Assemble Axis Mini to Recoil Handle as shown below.
Adjust rig to fit comfortably to user's eye.



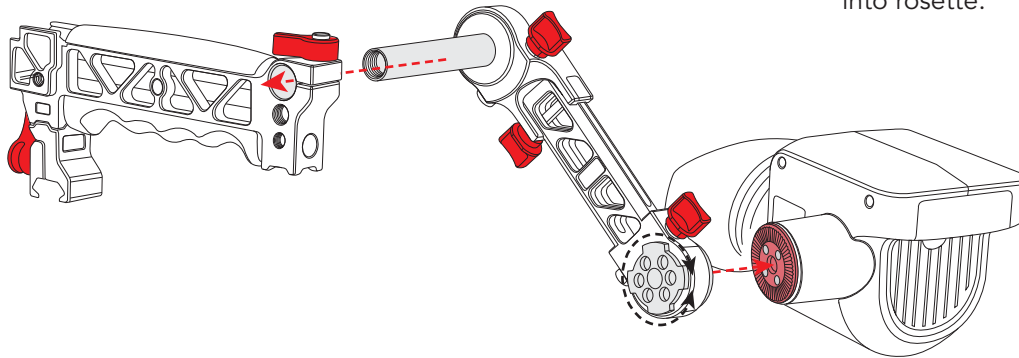
Remove ring from Sony EVF.



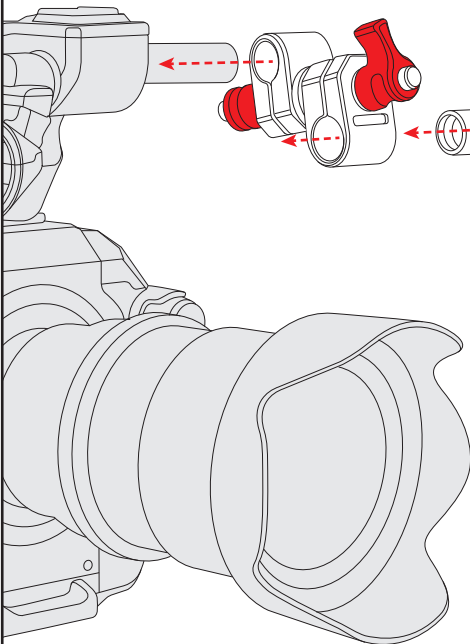
Attach EVF Rosette to Sony EVF using provided screws.



Turn knob on Axis Mini to tighten 1/4"-20 screw into rosette.



Mounting FS7 Axis Mini to Camera



1 Mount the Zwivel 2 to the FS7's handle rod and tighten into place with ratcheting lever.

2 Mount the Axis Mini to the Zwivel 2. Tighten into place with the ratcheting lever on the Zwivel 2.

3 Attach the Axis Mini to the rosette

4 Mount the Sony FS7 Screen to the rosettes rod.

5 Adjust rig to fit comfortably to user's eye.

To change the angle of the Zwivel 2, loosen levers and rotate. To lock, tighten lever until pins lock into center wheel. Both halves can be independently rotated a full 360 degrees.

