



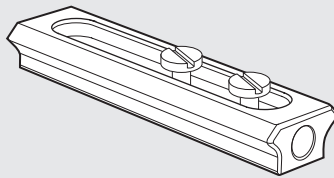
C300/500 Mounting Kit

The Mounting Kit for the C300/C500 Z-Finder allows you to position the LCD screen forward, and off to the side in a proper position for shoulder mounted shooting. The Mounting Kit attaches to a Z-Rail mount and will allow for vertical and horizontal adjustment of the Z-Finder.

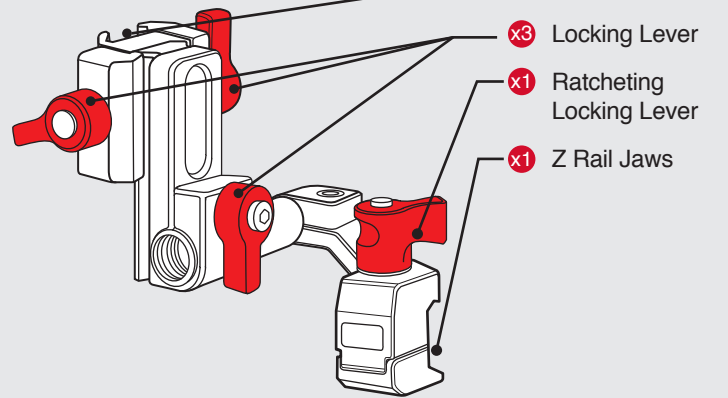
This mounting kit works with the C300/C500 Helmet and handle as a unified system. Either the C300/C500 Helmet Tapped Handle Kit or the C300/C500 Helmet Coldshoe Handle Kit is required to use this kit.

Parts & Features

3" Z Rail w/ 2 1/4" 20 screws

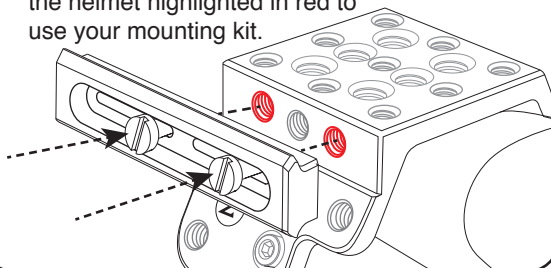


Mounting Arm

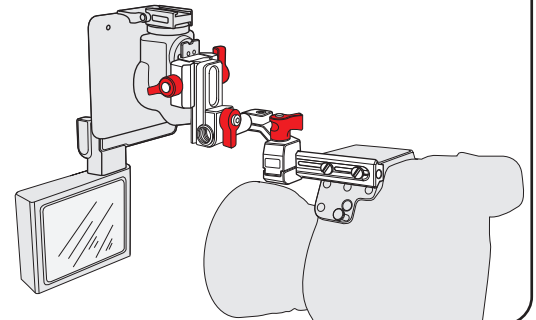


Mounting Z Rail

Attach your Z Rail to the side holes of the helmet highlighted in red to use your mounting kit.

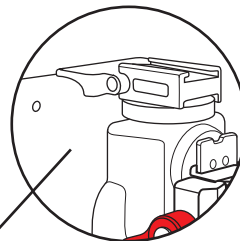


Correct Monitor Orientation



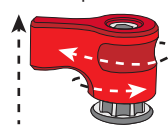
Assembly & Adjustments

While camera is positioned on your shoulder, loosen top left red lever to adjust vertically. Tighten when in desired position.



Optional Canon Monitor Spin Lockand Cold Shoe

Pull knob out to reposition.



Right Tight



Left Loose

Right Tight

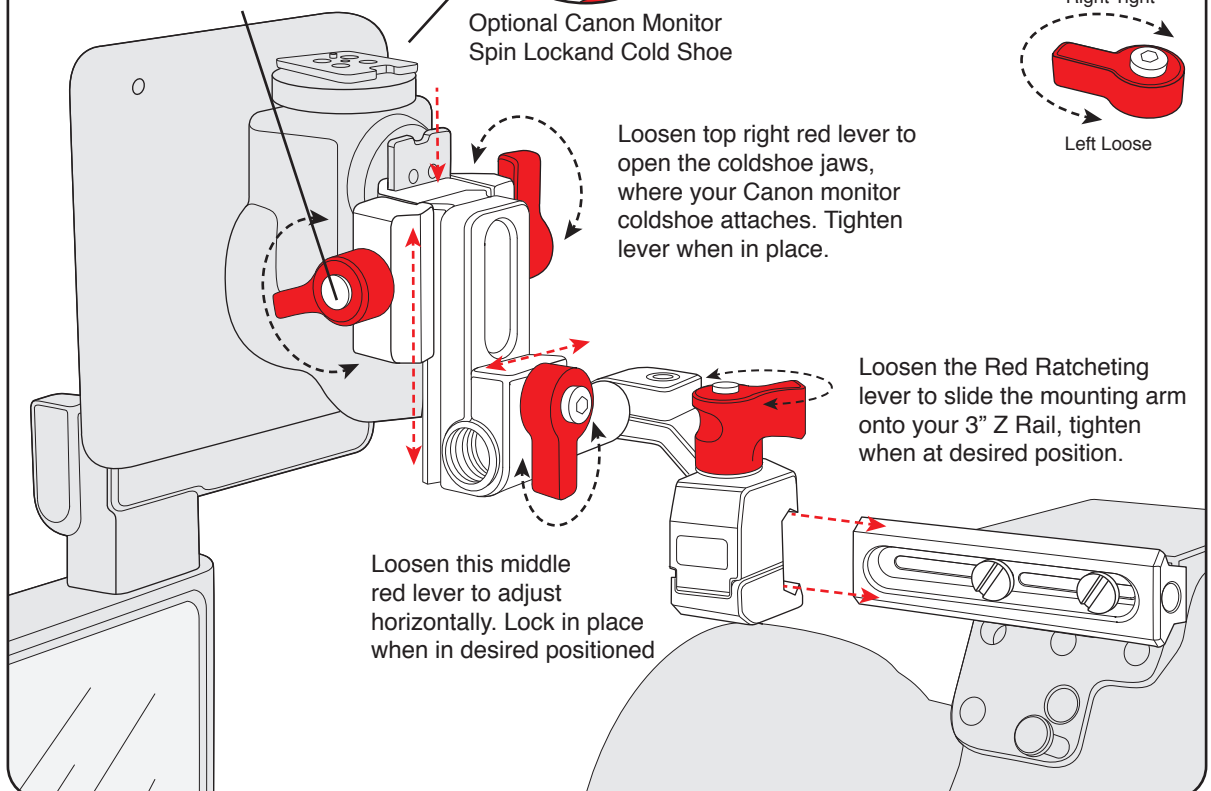


Left Loose

Loosen top right red lever to open the coldshoe jaws, where your Canon monitor coldshoe attaches. Tighten lever when in place.

Loosen the Red Ratcheting lever to slide the mounting arm onto your 3" Z Rail, tighten when at desired position.

Loosen this middle red lever to adjust horizontally. Lock in place when in desired positioned



NEED MORE HELP

Check out our tutorial videos at zacuto.com

ZACUTO
USA