



# Gorilla Plate V2

The Gorilla Plate V2 is a small platform baseplate designed for DSLRs and other small cameras. The Gorilla plate attaches to your camera using a standard 1/4" 20 screw.

The 15mm rod port on the underside of the Gorilla Plate V2, locked by a Zacuto ratcheting lever, enables you to mount a handgrip, tripod dock, DSLR Baseplate, or a run'n'gun kit like the Marauder.

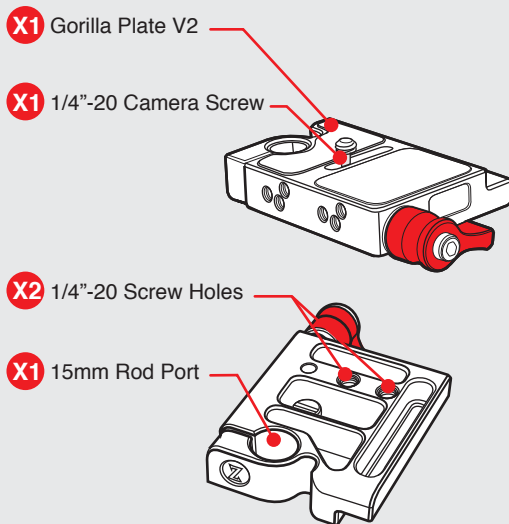


## NEED MORE HELP

Check out our tutorial videos at [zacuto.com](http://zacuto.com)

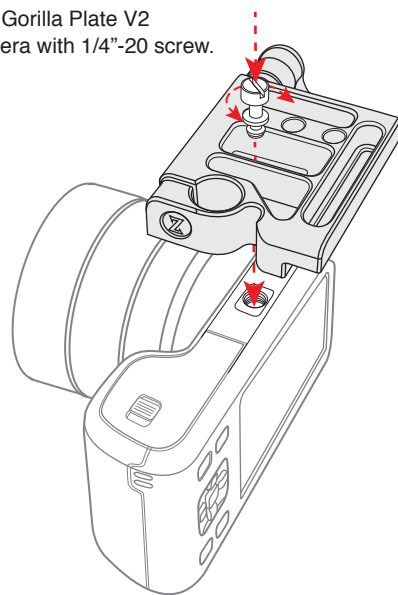
# ZACUTO USA

## Parts & Features



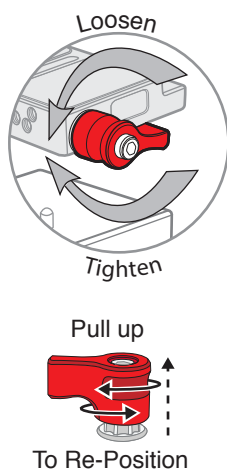
## Step 1

Mount Gorilla Plate V2 to camera with 1/4"-20 screw.

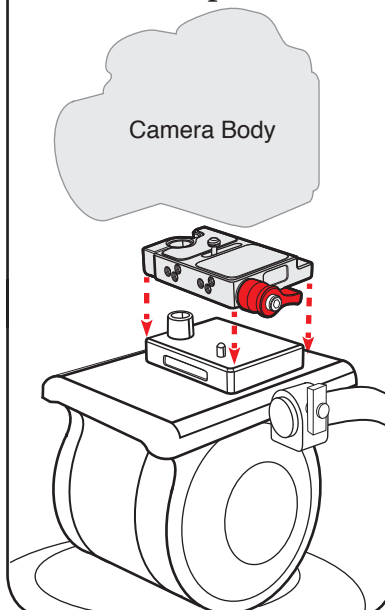


## Step 2

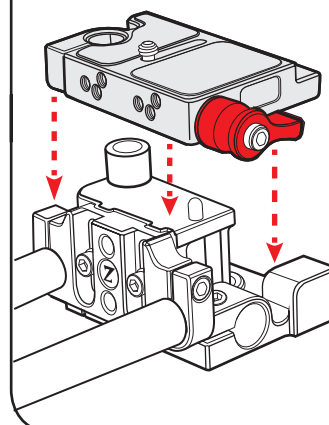
Loosen red ratcheting knob to attach Gorilla Plate V2 to desired Support/Rig.



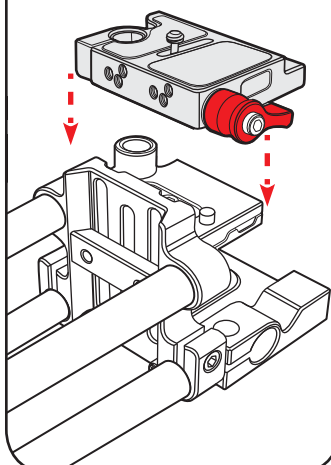
## Gorilla Tripod Dock



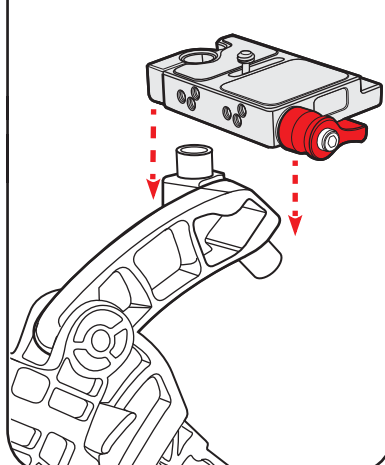
## Mini DSLR Baseplate



## DSLR Baseplate



## Enforcer/Marauder



## 15mm Rod/ Zamerican Arm

